

CONTENTS	2
Guarantee, service, repairs and maintenance	
Chapter 1: Customer information	3
General Information on Safety	
Chapter 2: General description	4
General description	
END USER INSTRUCTIONS	5
Chapter 3: Receiver	6
Chapter 4: Wiring Diagram	7
Chapter 5: Troubleshooting	8

Guarantee, service, repairs and maintenance

The JUUKO products are covered by a guarantee/warranty against material, construction and manufacturing faults. During the guarantee/warranty period, JUUKO may replace the product or faulty parts. Work under guarantee/warranty must be carried out by JUUKO or by an authorized service centre specified by JUUKO.

This is not covered by the guarantee/ warranty:

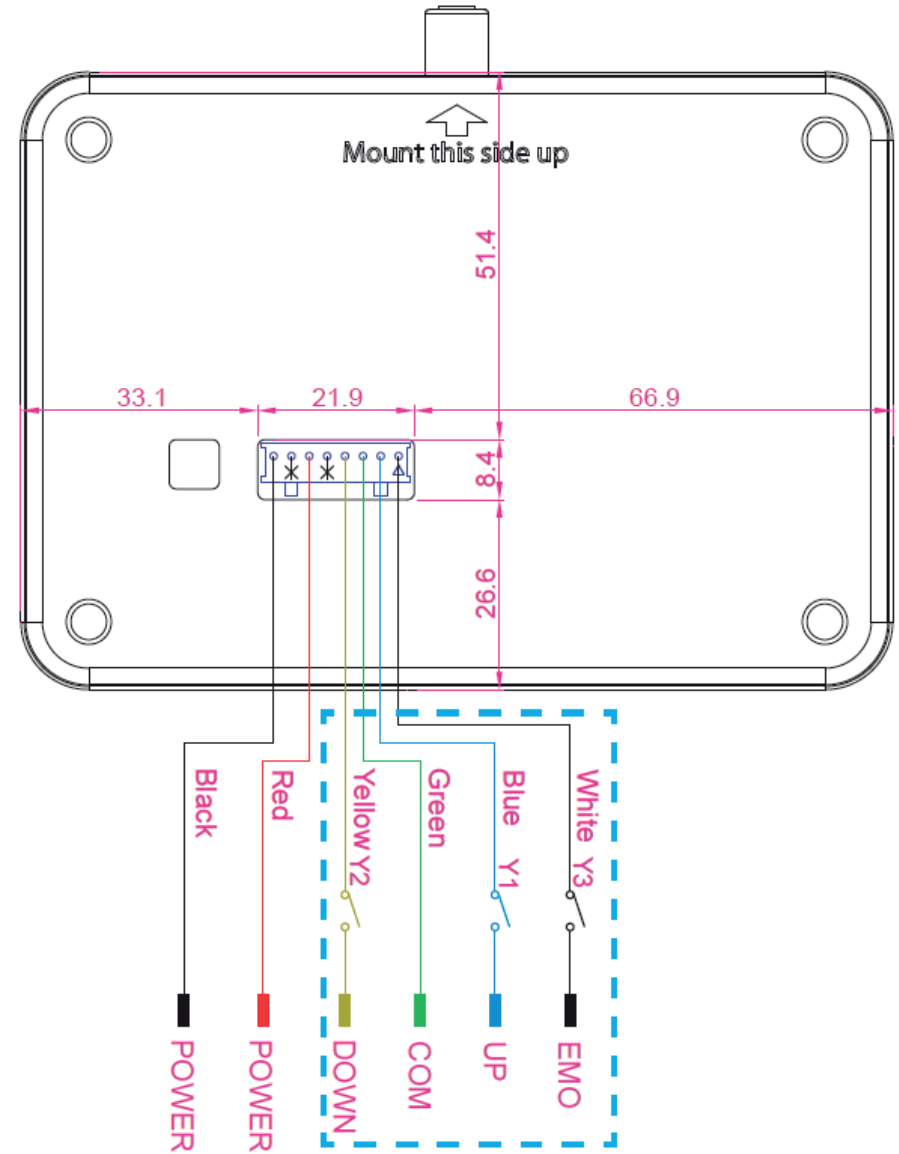
- Faults resulting from normal wear and tear
- Parts of a consumable nature
- Products that have been subject to unauthorized modifications
- Faults resulting from incorrect installation and use
- Condensation and water damage

Maintenance:

- Repairs and maintenance must be carried out by qualified personnel
- Use spare parts from JUUKO only
- Contact your representative if you require service or other assistance
- Keep the product in a dry, clean place
- Keep contacts and antennas clean
- Wipe off dust using a slightly damp, clean cloth

Wiring Diagram

*** Actual Size ***



Transmitter

LED Signal		SHORT LONG	Failure Analysis	Solution
STATUS	LED red	LED green	-Corrosion on the battery terminals. -Low battery. -Damage batteries.	-Clean the battery terminals. -Replace the batteries.
STATUS	LED red	LED green	-Transmitter is not communicating with the receiver.	-Check the power supply of the receiver. -Check the fuse in the receiver
STATUS	LED red	LED green	-Push button damaged.	-Contact the dealers.
STATUS	LED red	LED green	-RF error	-Check the antenna and make sure it is not loose. -Change a new RF module. -Contact dealer

Receiver

Should an error occur, the LED of the receiver will indicate the cause.

LED Signal		SHORT LONG	Failure Analysis	Solution
STATUS	LED red	LED green	-RF error	-Check the antenna and make sure it is not loose. -Change a new RF module. -Contact dealer
STATUS	LED red	LED green	-Receiver is not powered.	-Check the fuse. -Check the power supply.

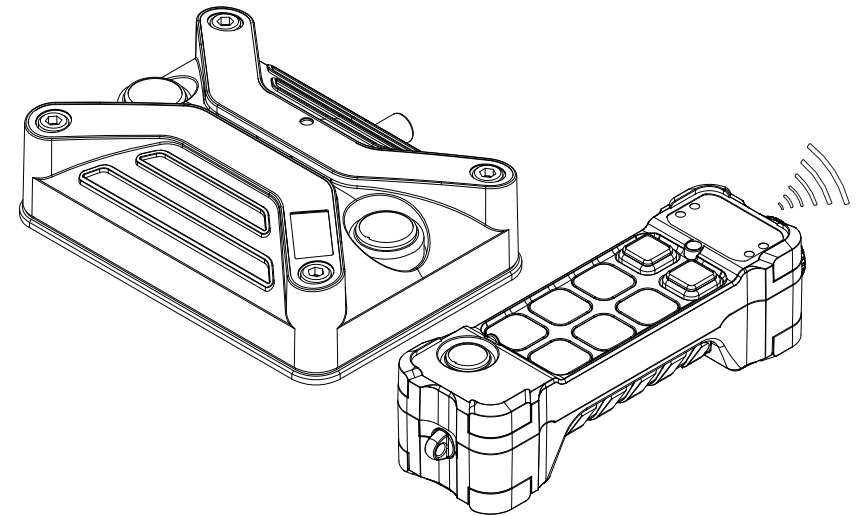
STATUS	LED red	LED green	The receiver is receiving data.

Radio remote control system

BASIC INSTALLATION INSTRUCTIONS

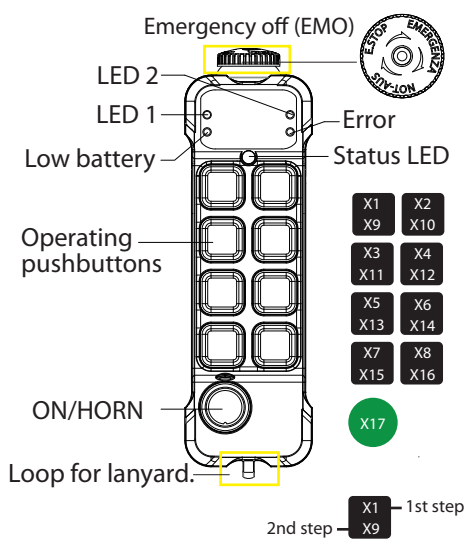
【C2/C2E/C2Q/C2EQ】

K200


 (English)
Standard settings

【X】(C4)_CE

The K series (C2/C2E/C2Q/C2EQ) transmitter comes in different versions, featuring 2, 4, 6, or 8 pushbuttons. The transmitter also features 2-step pushbuttons. Both steps of each pushbutton can operate different functions like controlling the speed of a movement, step 1: slow, step 2: fast.



Technical data TRANSMITTER

Frequency range	434.040Mhz~434.790Mhz
Modulation method	4 FSK
Typical operating range	100M
Control system	PLL
Antenna impedance	50Ω
Typical response time for Stop command and commands	50mS~100mS
Power supply	LR6(AA)1.5V x2
Antenna	Internal
Average power consumption	16mA@DC3V (default setting)
Radio-frequency power	<10dBm (default setting)
Operating and storage temperature	(-20°C)~(+55°C) / (-40°C)~(+65°C)
Protection degree	IP65
Dimensions	193x57x51mm
Weight (including battery)	approx.325g
Housing material	PA6(30% GF)

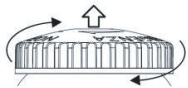
Start/ Horn switch

The K series transmitter has a Start/Horn pushbutton on the left side. The Start/Horn switch has 2 functions:
 1. Press to Start.
 2. Press for horn while operating.



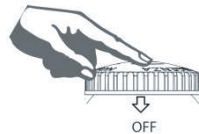
Start the transmitter in operating mode

1. Turn to release the Emergency Off button.
2. Press the "START" button.

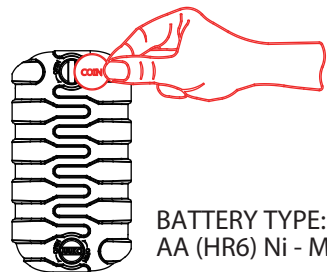


Turning the transmitter off

Turn the transmitter off by completely pressing the Emergency Off button. The transmitter turns off. All relays deactivate.



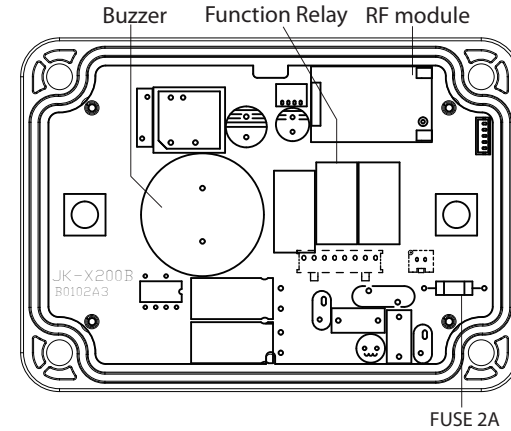
Changing the batteries:



BATTERY TYPE:
AA (HR6) Ni - MH x 2

Receiver

WARNING! The receiver must NOT be opened by any other than a qualified installer. Make sure to turn the electricity off before opening the receiver.

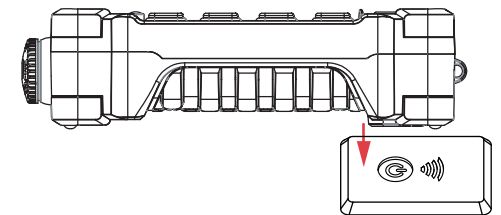


Technical data

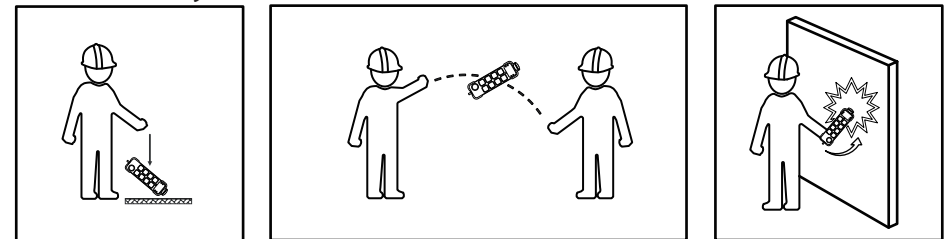
Frequency	434.040Mhz~434.790Mhz
Modulation method	2 GFSK
Sensitivity	-112dBm@baud1.2K bps
Control system	PLL
Antenna impedance	50Ω
Typical response time for Stop command and commands	50mS~100mS
Power supply	Specified on the receiver
Antenna	Internal (External as optional)
Standby power	16mA@AC220V
Operating and storage temperature	(-20°C)~(+55°C)/(-40°C)~(+65°C)
Protection degree	IP65
Dimensions	122x86.3x33.7(mm)
Weight	220g
Housing material	PA6(30% GF)

How to use Qi wireless charging (Optional)

1. Turn the transmitter off by completely pressing the emergency off button.
2. Place the transmitter on top of the wireless charging pad. You'll hear a beep, the battery LED flash every 1 second. When it's finished charging the battery LED flash every 5 seconds.
3. Remove the transmitter from the pad.



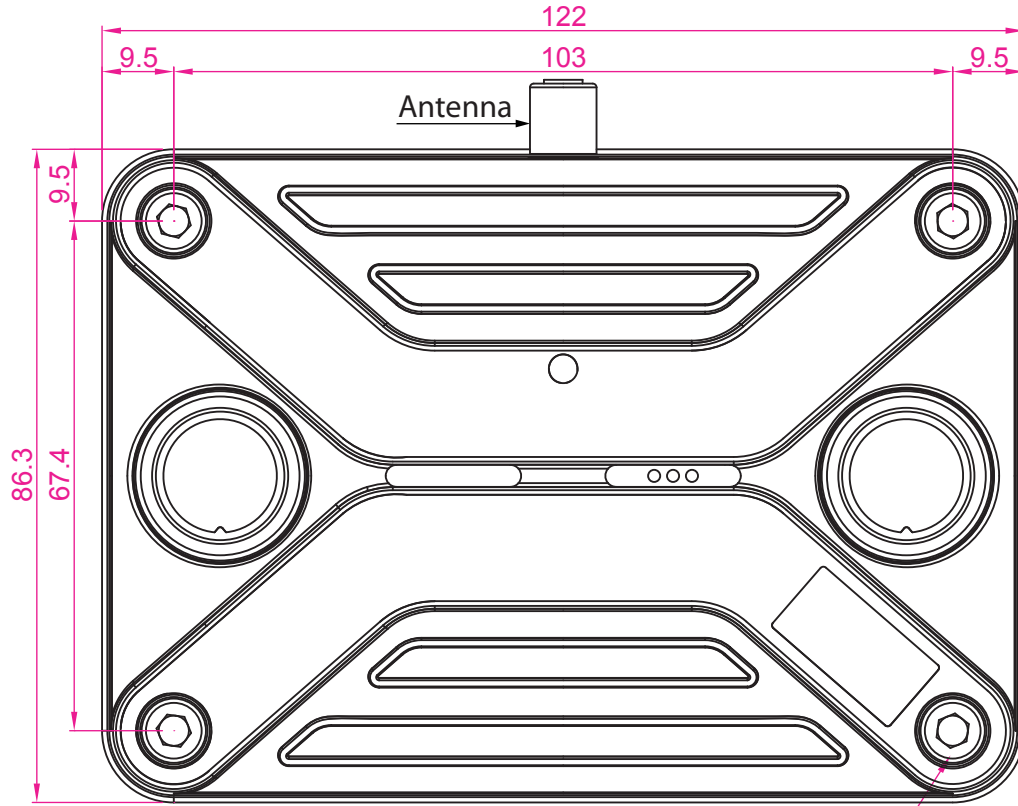
Zero-G safety



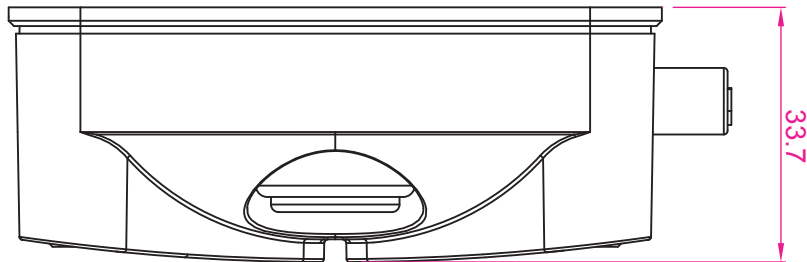
The zero-g safety function can prevent the uncontrolled output of commands in specific emergencies. The G sensor can detect if the transmitter receives a hard impact, dropped or thrown. These features can deactivate either the complete radio system or only the safety-relevant function relays. Alternatively, a pre-defined output (e.g. crane horn) can be triggered. Please contact your dealer for special settings.

Dimensions

*** Actual Size ***



4-M5P0d8L30



Thank you for purchasing a JUUKO product.

READ ALL INSTRUCTIONS CAREFULLY BEFORE MOUNTING, INSTALLING AND CONFIGURATING THE PRODUCT.

This manual includes general information concerning the operation of the radio remote control transmitter.

General Information on Safety

- Persons under the influence of drugs and/or alcohol and/or other medicine that impairs their reaction may not assemble, disassemble, install, put into operation, repair or operate the product.
- All conversions and modifications of an installation/system must conform to the relevant safety requirements. Work on the electrical equipment must be performed only by qualified, authorized personnel and in accordance with the relevant safety requirements.
- In the event of malfunctioning and visible defects or irregularities, the product must be stopped, switched off and the relevant master switches must be switched off.

Used Symbols and Definitions for Warnings

⚠	Warning against hazardous situation Do not use in high humidity and heavy dust environment. Protective pouch is highly suggested to use in high humidity and heavy dust environment. Avoid using in acid and alkali environment.
⚡	Warning against electrical voltage

FCC Part 15

* This device complies with Part 15 of the FCC Rules. Operation is subject to the following two conditions: (1) this device may not cause harmful interference and (2) this device must accept any interference received, including interference that may cause undesired operation

* You are cautioned that changes or modifications not expressly approved by the party responsible for compliance could void your authority to operate the equipment.

European Union Regulatory Notice

This device bearing the CE marking is in compliance with the essential requirements and other relevant provisions of Directive 1999/5/EC. This device complies with the following harmonized European standards.

Safety: EN 60950-1:2006+A11:2009+A1:2010+A12:2011

EMC: ETSI EN30 1489-1 V1.9.2 2011-09; ETSI EN 301 489-3 V1.4.1 2002-08

Radio: ETSI EN 300 220-1 v2.4.1: 2012; ETSI EN 300 220-2 v2.4.1: 2012

The following CE marking is valid for EU harmonized telecommunications products.

CE0560

IC Statement

This device complies with Industry Canada licence-exempt RSS standard(s). Operation is subject to the following two conditions: (1) this device may not cause interference, and (2) this device must accept any interference, including interference that may cause undesired operation of the device.

Le présent appareil est conforme aux CNR d'Industrie Canada applicables aux appareils radio exempts de licence. L'exploitation est autorisée aux deux conditions suivantes : (1) l'appareil ne doit pas produire de brouillage, et (2) l'utilisateur de l'appareil doit accepter tout brouillage radioélectrique subi, même si le brouillage est susceptible d'en compromettre le fonctionnement.